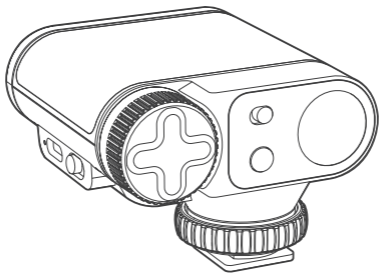


VILTROX

Vintage Z1 Pro




Thank you for choosing VILTROX flash.

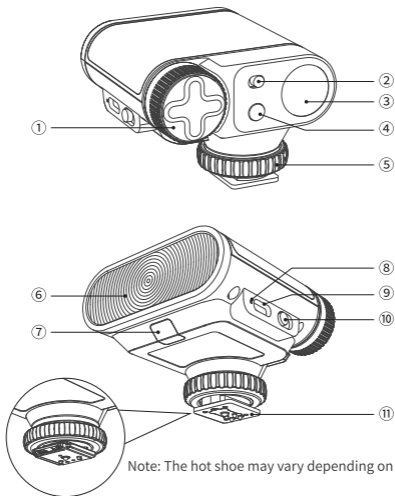
*Before attaching the VILTROX flash to your camera, please read this manual carefully so you can fully understand its features and use the flash correctly.

Warning

1. Keep the unit dry.
2. This product is not waterproof.
3. Do not expose this device to water, rain, or moisture unless it is properly protected from liquids and humidity.
4. Do not disassemble or attempt to repair the flash yourself, as this may result in electric shock, malfunction, or personal injury.
5. If the device becomes swollen, emits smoke, or gives off a burning odor, stop using it immediately and switch it off to prevent fire or burns.
6. Never fire the flash at the driver of a moving vehicle, as this could cause a traffic accident.
7. Do not fire the flash directly into anyone's eyes at close range, especially those of infants or young children, as this may damage the retina.
8. Keep small accessories out of the reach of children to prevent accidental swallowing. If any part is swallowed, seek medical attention immediately.
9. Keep this device out of the reach of children. Contact with the flash, including licking it, may cause electric shock or injury.
10. Do not subject the flash to strong impact or heavy vibration, as this may cause malfunction, component failure, or fire.
11. Do not use this device near flammable or explosive gases. Using the flash in environments containing propane, gasoline vapors, or combustible dust may result in fire or explosion.
12. Never clean this device with thinner, benzene, or other harsh solvents, and do not store the flash in places where chemicals such as camphor or benzene are present, as this may damage the plastic housing and create a risk of fire or electric shock.

 **High voltage inside! Do not disassemble this device!**

Component Name



Note: The hot shoe may vary depending on the model.

1. Power dial
2. Power switch
3. Display screen
4. Test flash button
5. Lock ring
6. Flash emitting area
7. Optical sensor indicator
8. Charging indicator
9. Type-C port
10. Optical sensor button (S1/S2)
11. Hot shoe (different models are fitted with different hot shoes)


Instructions for Use

Power On/Off

Power On: Slide the ON/OFF switch to the ON position to turn on the device.

Power Off: Slide the ON/OFF switch to the OFF position to turn off the device.

Note: 1. Mount the flash on the camera before turning on the camera and the flash.

2. When the  icon appears on the flash screen, it indicates that communication between the flash and the camera has been established successfully.

Flash Mode

Touch Operation: Swipe left or right on the screen to switch the flash mode.

Knob and Button Operation: Press the dial to switch the flash mode.

M Manual Mode

1. Set the flash to M Manual mode.
2. Adjust the appropriate power level according to the ISO setting and shooting distance set on the camera.



For specific parameters, please refer to the table below:

ISO	50	100	200	400	800	1600	1600
Aperture	2	2.8	4	5.6	8	11	16
Shooting Distance/m	0.5	0.7	1	1.5	2	3	4
Recommended Power Level	1/64	1/32	1/16	1/8	1/4	1/2	FULL

A (TTL) Auto Mode

1. Set the flash to A (TTL) Auto mode.
2. The camera controls the flash to emit an appropriate flash output through pre-flash metering to achieve the fill-light effect.



Sync Mode

High-Speed Sync

Dial operation: Quickly press the dial twice to enable high-speed sync.

Touchscreen operation: Swipe up or down on the device screen to switch to High-Speed Sync mode.

Note: 1. When High-Speed Sync is enabled, the minimum flash power setting is 1/16.
2. When using the Z1 Pro C model, quickly pressing the dial twice cycles through High-Speed Sync, Front-Curtain Sync, and Rear-Curtain Sync.

Rear-Curtain Sync

When using the Z1 Pro S model, please select Rear-Curtain Sync flash in the camera settings.

When using the Z1 Pro C model, swipe up or down on the device screen to switch to Rear-Curtain Sync mode, or select Rear-Curtain Sync flash in the camera settings.

When using the Z1 Pro F model, please select Rear-Curtain Sync (REAR) in the camera settings.

When using the Z1 Pro N model, please select Rear-Curtain Sync in the camera settings.

Trigger Mode

When you switch the Z1 Pro to S1 or S2 trigger mode, the corresponding mode will also be displayed on the screen. Trigger mode must be used when the flash is set to M mode; trigger mode cannot be used in TTL mode.

S1 Synchronous Trigger Mode: Set the optical sensor button to S1 mode, and the flash will be triggered in sync with the first flash of the main flash.

S2 Pre-Flash Suppression Trigger Mode: Set the optical sensor button to S2 mode, and the flash will be triggered in sync with the second flash of the main flash.

Display Brightness Adjustment

Press and hold the knob to enter the brightness adjustment interface. Rotate the knob to adjust to a suitable brightness level.

Note: Any operation will exit the interface. The interface will automatically exit after 10 seconds of inactivity.


Protection Functions

Overheat Protection: When overheat protection is triggered, the green indicator will flash continuously for 30 seconds (with a flashing interval of 200–400 ms), while the flash mode icon (M/TTL) on the display screen turns red, indicating that the internal temperature of the flash is too high.

Flash Count Protection: In M mode, after 20 consecutive flashes at 1/2 power or above within 1 minute, the flash recycle time will be extended by 1.5 seconds.



Charging Management

Screen display while charging: 

Screen display when fully charged: 

Note: This product supports use while charging when powered on.

(If the flash fully discharges and shuts down automatically, the indicator light will first stay red when charging to power on. At this time, the flash is prohibited from recharging. Normal use is only allowed after the indicator light turns green.)

Sleep and Wake-Up

Sleep: If the flash is not operated for 15 minutes, it will automatically enter sleep mode. The indicator light will turn off, the screen will go blank, and button operations will be disabled.

Wake-Up: In sleep mode, the device must be powered on again to wake it up.

Technical Specifications

Flash Mode	M Manual Mode / TTL Auto Mode
Flash Power Levels	1/1-1/64, Adjustable in $\pm 1/3$ Range
Power (1/1 level)	24Ws
Recycle Time (1/1 level)	1 s
Focal Length	28mm
Flash Duration T0.5	1/3000s-1/50000s
Color Temperature	6000 \pm 200K
Sync Mode	High-Speed Sync (up to 1/8000 s), Front-Curtain Sync, Rear-Curtain Sync
Trigger Mode	S1 Synchronous Trigger Mode / S2 Pre-Flash Suppression Trigger Mode
Battery Capacity	3.7V/800mAh
Number of Flashes	350 to 10,000 Flashes
Charging Duration	Type-C 5V/0.8A (approx. 70 minutes)
Sleep Mode	Enters sleep mode after 15 minutes of inactivity; restart the device to resume operation.
Dimensions	S: 68.5*72.8*49.9mm
	C/N/F: 68.5*72.8*50.2mm
Weight	Approximately 136 g

Our company reserves the right to modify the appearance, technical specifications, and performance of this product at any time.