



MeacoFan 1056P Air Circulator Instruction Manual



MeacoFan 1056P Air Circulator

Please read this instruction manual before using the air circulator and keep safe for future reference.

Thank you for choosing Meaco, we really appreciate it.

Safety Information

This air circulator must not be used in rooms under the following conditions: potentially explosive atmosphere, aggressive atmospheres, featuring a high concentration of solvents or an extremely high ratio of dust.



Magnets: The air circulator and the remote control both contain magnets. Please note the following: Pacemakers and defibrillators may be affected by magnets. If this affects you then please do not put the remote control in a pocket and warn anyone who is likely to use the air circulator or the remote that it has a magnet. Credit cards and data cards can also be affected by magnets and should not be placed near to the air circulator or the fan.

Keep Children Away: Do not allow children to play with or around this unit, which could result in injury. Be sure the unit is inaccessible to children when not attended. This appliance is not intended for use by person (including children) with reduced physical, sensory or mental capabilities, or lack of experience and knowledge, unless they have been given supervision or instruction concerning use of the appliance by a person responsible for their safety.

Keep Unit Grounded: Always operate the unit with a grounding plug and a grounded electrical outlet. A grounding plug is an essential safety feature that helps reduce the risk of shock or fire.

Protect Power Cord from Damage: Never operate a unit with a damaged power cord, as this may lead to electrical or fire hazards. If the power supply cord is damaged, it must be replaced by a cord of the same type and amperage rating.

Extension Cords: Extension cords must be grounded and able to deliver the appropriate voltages to the unit.

Handle with Care: Do not drop, throw or crash the air circulator. Rough treatment can damage the components or wiring and create a hazardous condition.

Run on Stable Surface: Always operate the unit on a stable, level surface, for example the floor or a strong counter, so that the air circulator cannot fall and cause injury.

Keep Out of Water: Never operate the unit in pooled or standing water, as this may create a risk of injury from electrical shock. Do not store or operate outdoors. If electrical wiring or components become wet, thoroughly dry them before using the unit. If in doubt do not use the air circulator and consult a qualified electrician or a Meaco approved engineer.

Keep Air Intakes Clear: Do not clog or block the air intakes by placing the air circulator too close to curtains, walls or anything that will restrict the air inlet. This may cause the unit to overheat and result in a fire or electrical hazard.

Keep Electrical Components Dry: Never allow water inside the air circulator's electrical components. If these areas become wet for any reason, thoroughly dry them before using the air circulator. If in doubt, do not use the air circulator and consult a qualified electrician or a Meaco approved engineer.

The operator must make the operating instruction available for the user and make sure that the user does understand the manual.

Wiring Instructions

Should it be necessary to change the plug, please note the wires in the mains lead are coloured in accordance with the following code:

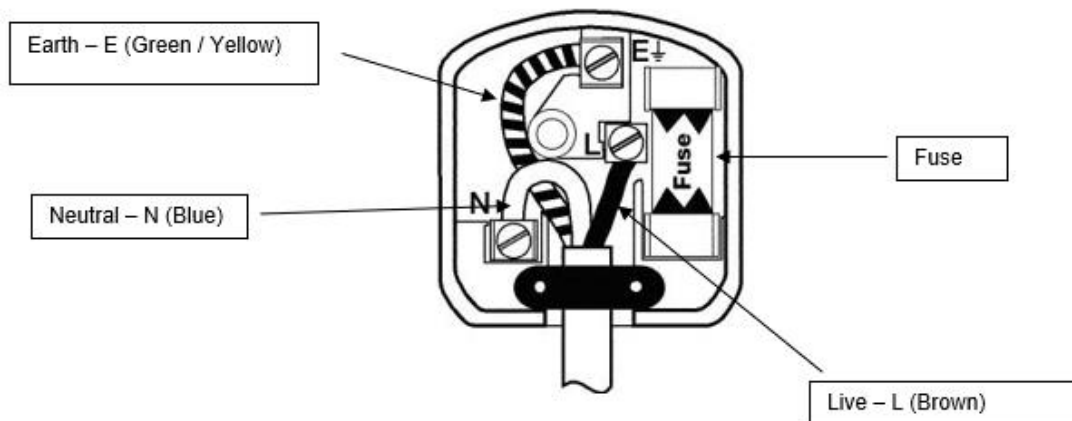
BLUE – NEUTRAL
BROWN – LIVE
GREEN AND YELLOW – EARTH

As the colours of the wires in the mains lead of this appliance may not correspond with the coloured markings identifying the terminals in your plug, proceed as follows:

1. The **BLUE** wire is the NEUTRAL and must be connected to the terminal which is marked with the letter N or coloured **BLACK**.
2. The **BROWN** wire is the LIVE and must be connected to the terminal which is marked with the letter L or coloured **RED**.
3. The **GREEN/YELLOW** is the EARTH and must be connected to the terminal which is marked with the letter E or coloured **GREEN** or **GREEN/YELLOW**.
4. Always ensure that the cord grip is positioned and fastened correctly.
5. Only ever use the same fuse as fitted in the original product, if in doubt please contact Meaco first, or a qualified electrician.

Example wiring for a Standard British Plug:

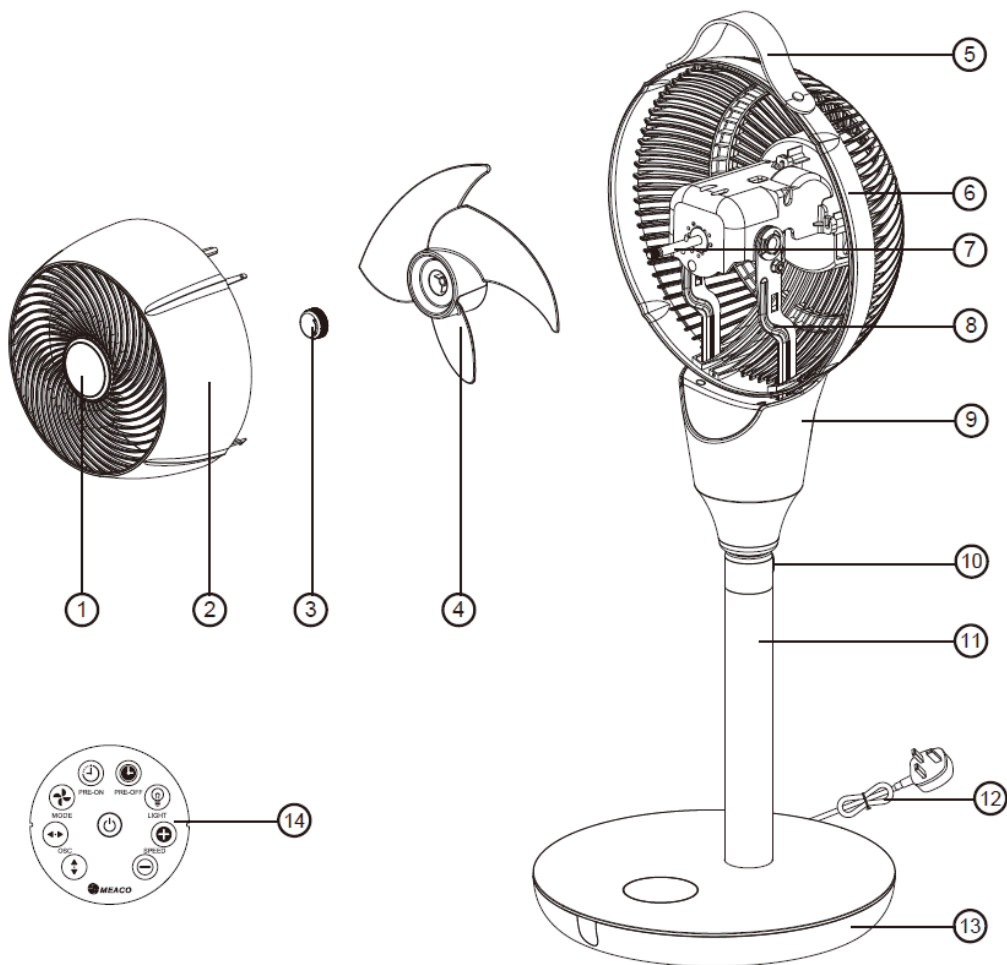
Please note: The Earth Terminal is marked with the letter E or Earth Symbol .



General Advice

- Before putting your air circulator into operation for the first time, the instruction manual should be studied carefully.
- After receiving the air circulator, you should check the unit for any transport damage. In case of damage, you should inform the sender immediately.
- Keep the packaging for the air circulator in a safe place. In order to save space, you can simply cut through the adhesive tape using a knife and fold the cardboard box.

Product Identification



- | | | | |
|-----------------------------------|-----------------------------|--------------|------------------|
| 1. Magnetic remote-control holder | 2. Front guard | 3. Spinner | 4. Fan blades |
| 5. Handle* | 6. Rear guard | 7. Fan motor | 8. Motor bracket |
| 9. Support bracket | 10. Pedestal release button | 11. Pedestal | 12. Power cord |
| 13. Base | 14. Remote control** | | |

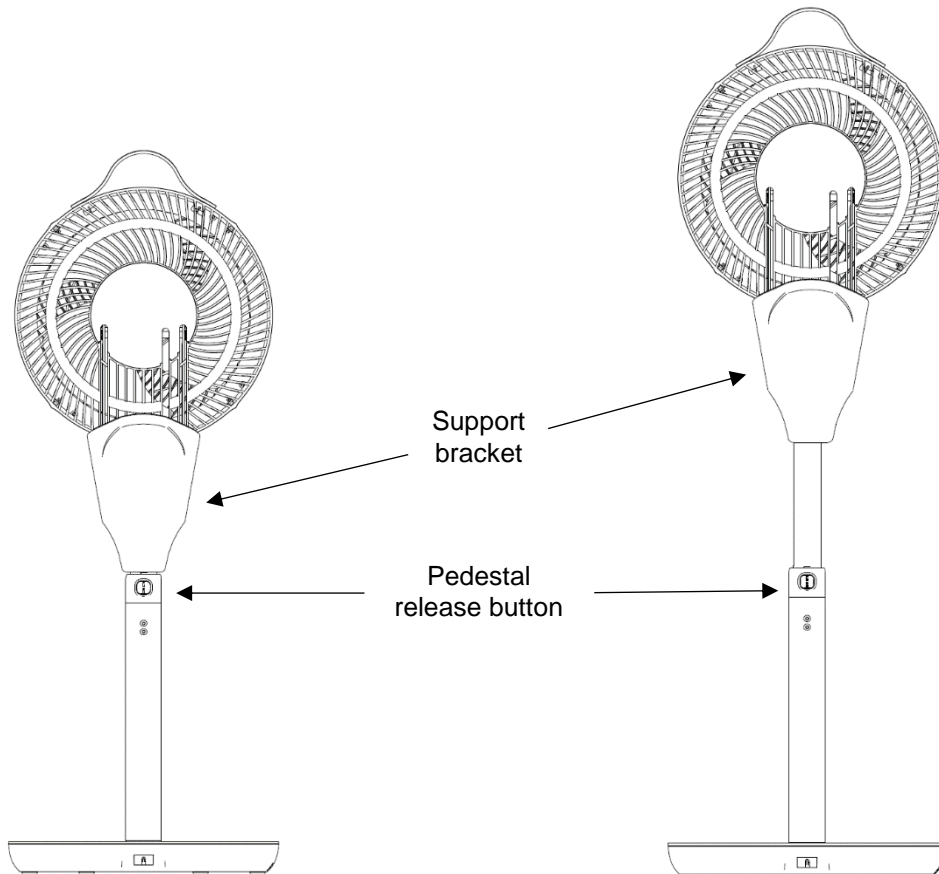
* The handle is made from artificial materials and does not contain any animal products.

** The remote control is supplied with a CR2025 DC3v battery. Please remove the tab from the battery before use.

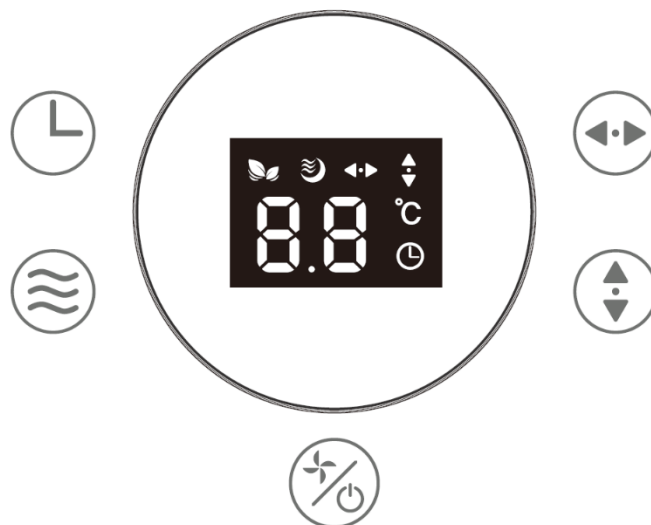
Set Up

The MeacoFan 1056P is a pedestal air circulator which can be used at various adjustable heights.

In order to adjust the height of the air circulator press the release button on the back of the pedestal. Push the release button and lift the air circulator via the support bracket. The air circulator will click into place at the chosen height. To reduce the height, push down on the top of the air circulator.



Control Panel



Please note all the buttons are touch sensitive and beep when pressed. The buttons need to be pressed quickly, do not hold your finger on the button for longer than one second (unless when turning the air circulator ON/OFF, see below). Do not operate the controls on the base of the air circulator with your feet.

Power



When plugged in the air circulator will beep once and display the room temperature on the display, this is standby mode. To turn the air circulator on put your finger on the power button for two seconds. The air circulator will beep and start to operate. To turn the air circulator off, put your finger on the power button again for two seconds, you will hear a longer beep and the air circulator will slow down and stop.

Mode



Press the mode button to move through the four modes: normal, natural, sleep and ECO.

Normal mode: This is the default setting on the air circulator. The fan speed can be adjusted between 1 and 12. The airflow is constant on each fan speed.



Natural mode: Press the mode button once to reach natural mode – the symbol to the left will appear on the display. The fan speed can be adjusted between 1 and 12. The airflow will alternate between weak and strong in order to replicate a natural breeze.



Sleep mode: Press the mode button twice to reach sleep mode – the symbol to the left will appear on the display. The fan speed will decrease by one level every 30 minutes. When fan speed 1 has been reached, the fan will continue to run until it is manually turned off.

ECO mode: Press the mode button three times to reach ECO mode - the room temperature will appear on the display. In ECO mode the fan speed will automatically change as per the table on the following page.

ECO mode

Room temperature	Fan speed
<23°C	2
23 to 25°C	4
25 to 27°C	6
27 to 29°C	8
29 to 31°C	9
31 to 33°C	10
>33°C	12



Speed

Press the speed button to adjust the air flow fan speed. There are 12 fan speeds available. As long as the air circulator remains plugged in, the air circulator will remember the last fan speed used. The speed can be adjusted on the control panel or via the remote control.



Vertical & horizontal oscillation

Press the oscillation buttons to start and stop the sideways oscillation left and right or up and down. Press the button once to turn the oscillation on and press the button again to stop the motion, in doing so you can fix the direction of the air circulator.



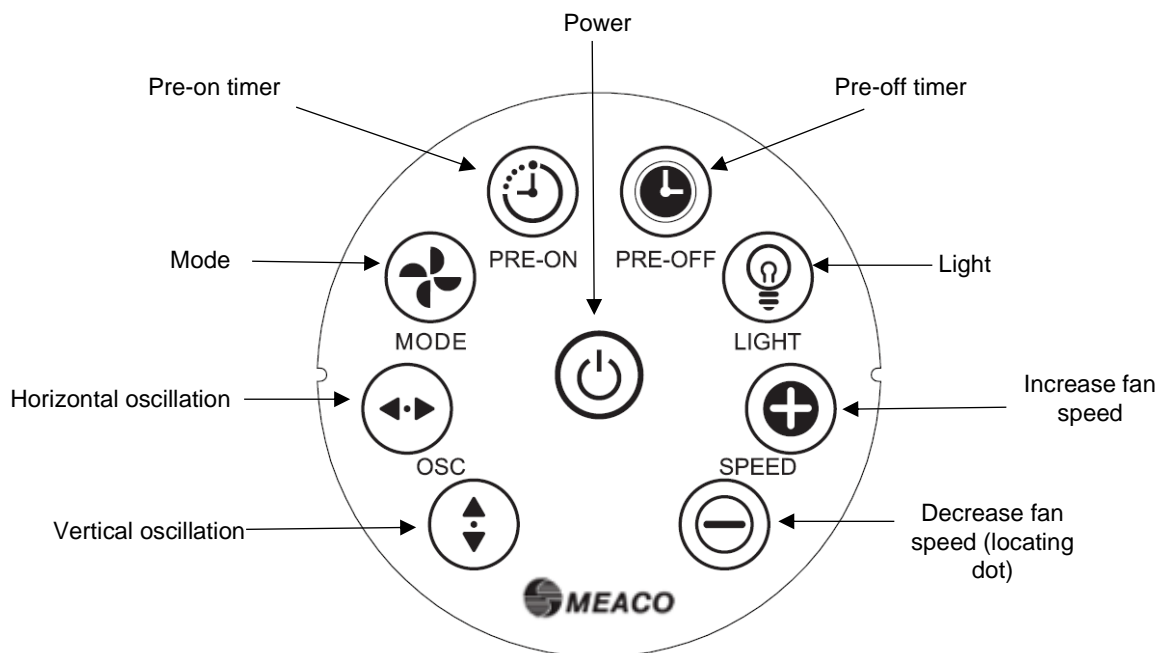
Timer

When the air circulator is in standby mode use the timer button to set an interval, in one-hour segments, between 1 and 12 hours after which the air circulator will turn ON. Once you have reached the desired number of hours on the display the number will flash four times and then set.

When the air circulator is turned on and running, use the timer button to set an interval, in one-hour segments, between 1 and 12 hours after which the air circulator will turn OFF. Once you have reached the desired number of hours on the display the number will flash four times and then set.

To turn the timer off, press the timer button until 00 is displayed.

Remote Control



The following functions are only available via the remote control. All other buttons on the remote-control work in the same way as the control panel (see pages 5 and 6). The remote control has a range of approximately three metres. Before using the remote control, remove the plastic tab.

Light

Press the light button to turn the lights on the display ON/OFF.

Increase fan speed

Press the increase fan speed button to increase the air flow fan speed between 1 and 12.

Decrease fan speed

Press the decrease fan speed button to decrease the air flow fan speed between 12 and 1.

Pre-on timer

Press the pre-on timer button to set an interval, in one-hour segments, between 1 and 12 hours after which the fan will turn ON. This can only be used when the air circulator is in standby mode.

Pre-off timer

Press the pre-off timer button to set an interval, in one-hour segments, between 1 and 12 hours after which the fan will turn OFF. This can only be used when the air circulator is on and running.

Electrical Connections & Operating Conditions

This air circulator was designed to operate in a 220-240V / 50Hz electrical installation. Make sure that the electric sockets are connected to earth and that all safety precautions are taken. This air circulator can be operated within an ambient temperature range from +5°C to +40°C and with a non-condensing relative humidity.

Specifications

Operating conditions	+5°C to +40°C
Humidity operating range	Non-condensing
Fan motor type	DC
Maximum air flow	1653 cubic metres per hour
*Maximum air velocity (c)	4m/sec
*Rated voltage and frequency	220 – 240V / 50Hz
Power consumption	6 to 24 watts
*Standby power consumption (PSB)	<0.5 watts
Oscillation swing angles	60° vertically and 80° horizontally
*Fan sound power level (LWA)	20 to 60dB(A)
*Service value (SV)	1.2 (m ³ /min)/watts
*Fan power input (P)	23 watts
*Maximum fan flow rate (F)	27.56m ³ /min
Dimensions (HWD)	820-955 x 320 x 339mm
Nett weight	4.7 Kgs

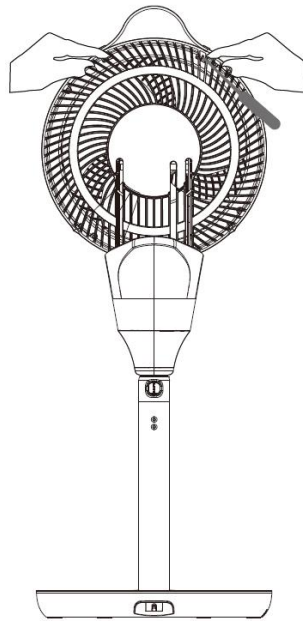
**Measurement Standard for Service Value (all items*): 2009/125/EC, (EU) No 206/2012 + (EU) No 2016/2282, IEC 60879: 1986, EN 60704-1:2010 + A11:2012, EN 60704-2-7:1998.*

Cleaning & Maintenance

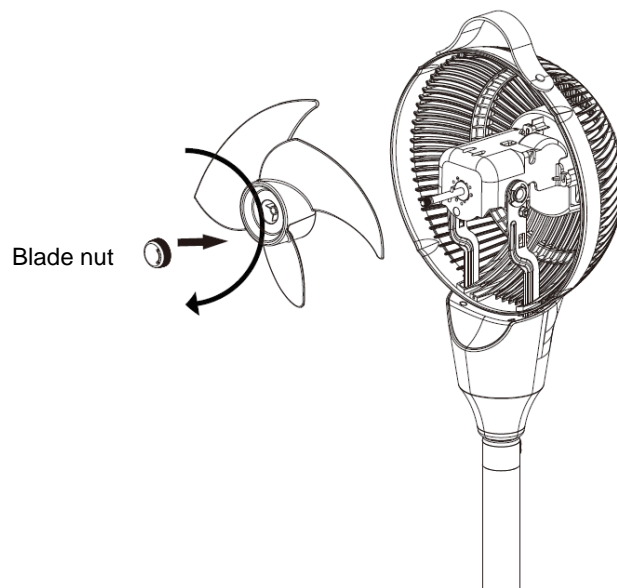
Always turn the air circulator off and unplug it from the socket before cleaning.

Use a soft dry cloth to clean the external and internal parts of the air circulator. Do not allow the air circulator to get wet. In order to access the fan blades, follow the steps below:

1. Using a screwdriver, unscrew the two small screws at the top back of the air circulator. They are located directly below each end of the handle.



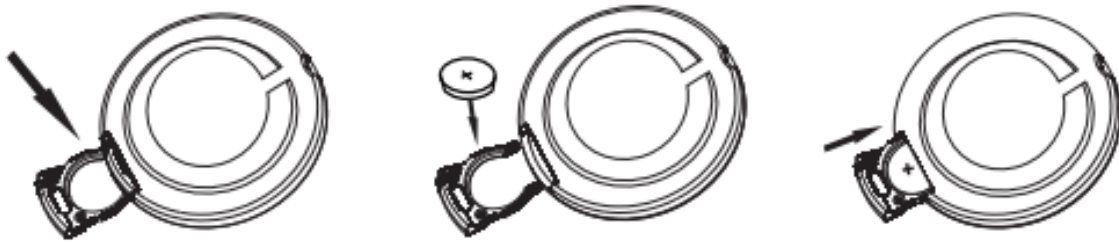
2. Squeeze the two tabs to the left and right of the screws and pull away. At the front of the fan blades there is a locking cap – unscrew the cap in a clockwise motion to remove the fan blades.



3. Clean the fan blades and the internal part of the fan using a soft dry cloth. Reverse the procedure to put the air circulator back together. Make sure the locking cap is tightened securely.

Replacing the remote control battery

If the remote control fails to work whilst close to the fan, the battery will need replacing. The battery is a CR2025 and can be replaced following the steps in the diagram below.



Storage

When storing the air circulator use the cable compartment at the back of the air circulator to store the mains cable. The cable compartment cover may be stiff to remove at first – use the small lever at the top to pull it away from the air circulator.

We recommend storing the fan in its plastic bag or original box to protect the air circulator from dust.

Remember the air circulator can also be used in winter to help distribute warm air more effectively within a room.

Trouble Shooting

Problem	Cause	Solution
The display shows '00' or '99'	There is a problem with the circuit	Please contact Meaco
The air circulator does not oscillate	The MPCB needs resetting	Unplug the air circulator from the mains for 40 minutes
Increased noise level	The fan blades are dirty	Clean the fan blades (see page 9)
	The fan blades or fan motor is loose	Tighten the locking cap (see page 9)
	There is a fault with the fan motor	Please contact Meaco
The motor can be heard on the lower fan speeds	As the air circulator is so quiet it is expected to hear the motor on the lower fan speeds. As the fan speed increases, the noise of the motor will reduce	This is not a fault and is normal
The air circulator does not start up	The air circulator is in standby mode	Press the power button again
The air circulator is making a clicking noise	The air circulator needs lubricating	Run the air circulator on the highest fan speed for 4 hours
The remote does not work	The battery needs replacing	Replace the battery (see page 10)
	The remote is being used more than 3m away from the fan	Use the remote closer to the fan and make sure it is pointing directly at the fan base
The fan speed increases and decreases randomly	This is not a fault – the air circulator is in natural mode	Change the air circulator mode by pressing the mode button (see page 5)

Warranty & Customer Service

There is a two-year manufacturer's warranty on your air circulator from the date of purchase. Please register your purchase at <https://meaco.com/warranty-register> - as a thank you, you will be entered into our monthly free prize draw to help support the David Shepherd Wildlife Foundation. Registering also allows us to keep you update with any important developments concerning your product.

Within the two-year manufacturer's warranty, all manufacturing defects will be repaired free of charge.

The following applies:

1. Any repairs or replacement of components during the warranty period will not result in an extension of the warranty period.
2. The warranty will expire if any alterations have been made, not genuine components have been fitted or if the air circulator has been repaired by a third party.
3. Components subject to normal wear and tear are not covered by the warranty.
4. The warranty is only valid on presentation of the original, unaltered, and date-stamped purchased receipt.
5. The warranty does not cover damage caused by actions that deviate from those as described in the user's manual or by neglect.
6. The warranty does not cover faults caused by dirt or by third-party products.
7. The warranty does not cover accidental damage.
8. All claims for compensation, including consequential damage, will not be entertained.
9. Using a third-party switching device that turns the air circulator on or off via the mains will invalidate the warranty.

For the full list of the warranty terms and conditions please visit: www.meaco.com/warranty-terms.

To prevent unnecessary expenses, we recommend that you always carefully read the user's manual first. If this does not provide a solution, please call Meaco and we will be happy to help.

This air circulator has been imported into the UK by:

*Meaco (UK) Limited
Meaco House, Parklands
Railton Road, Guildford
GU2 9JX*

*Telephone: 01483 234900
Email: customerservice@meaco.com
Website: www.meaco.com*

Please record, for future reference, your date of purchase and where you bought the air circulator from here:

Date of purchase:

Purchased from www.meaco.com (if not, then please record the supplier's name below).

Suppliers name:

If your air circulator develops a fault at any time, please contact us and we will always try and help you as best we can. Please keep hold of the original box and packaging your unit arrived in.

This marking indicates that this product should not be disposed with other household wastes throughout the UK. To prevent possible harm to the environment or human health from uncontrolled waste disposal, recycle it responsibly to promote the sustainable reuse of material resources. To return your used device, please use the return and collection systems or contact the retailer where the product was purchased. They can take this product for environmental safe recycling.

