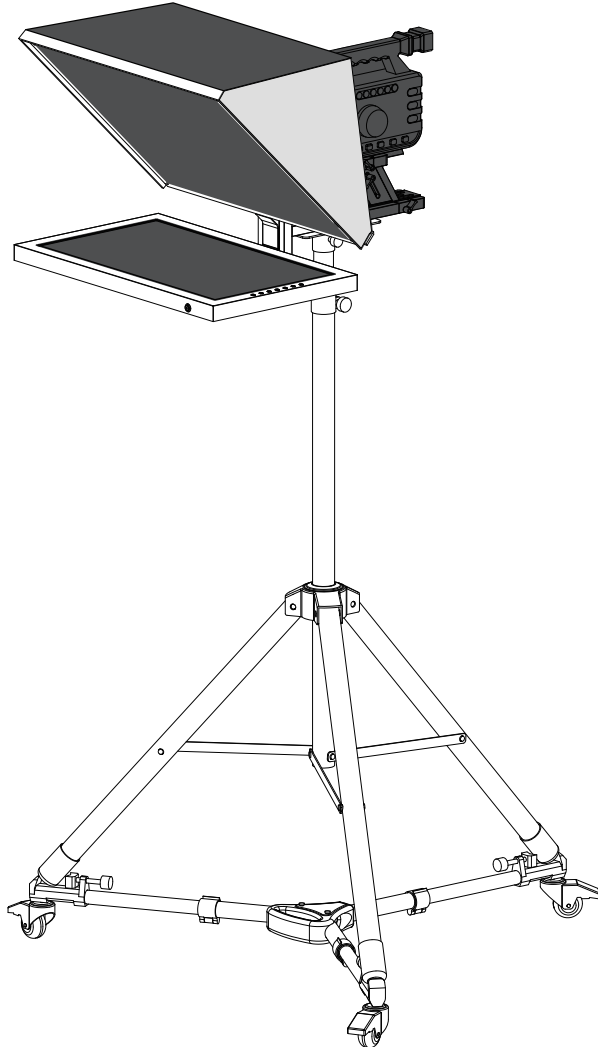


Professional Broadcast Teleprompter

User Manual



Catalog

Professional broadcast teleprompter	1
Preface	2
Installation Video	2
Products	3
Components List and Assembly Exploded View	3
Hardware Installation	5
1. Mounting tripod / casters	6
2. Installation of monitor pallets and beamsplitter combination frames	9
3. Installation of shades	10
4. Teleprompter monitor installation	11
5. Installation of cameras	13
6. Teleprompter installation completed	18
Teleprompter software installation and use	19
operation steps for flipping the monitor screen	29
Bluetooth remote	29
Frequently Asked Questions	29

Preface

Hello, thank you for choosing our products!

*Before you use this product for the first time, please be sure to read this manual and the related information delivered with it carefully, and use and install, maintain and care according to the manual.

*We have carefully proofread and checked this manual, but we cannot guarantee that there are no errors or omissions in the description of the manual.

*We reserve the right to improve and modify the manual and the product at any time without prior notice after product adjustment.

*Please be sure to take good care of the product manual and warranty card the company will not be responsible for any direct, indirect, intentional unintentional and other losses caused by improper installation or use to the fullest extent of the law.

*The contents of this manual are protected by legal copyright and may not be copied or distributed in any form without written permission.

Installation Video

Google search "www.desview.com" to get install and Use video.

Product Introduction

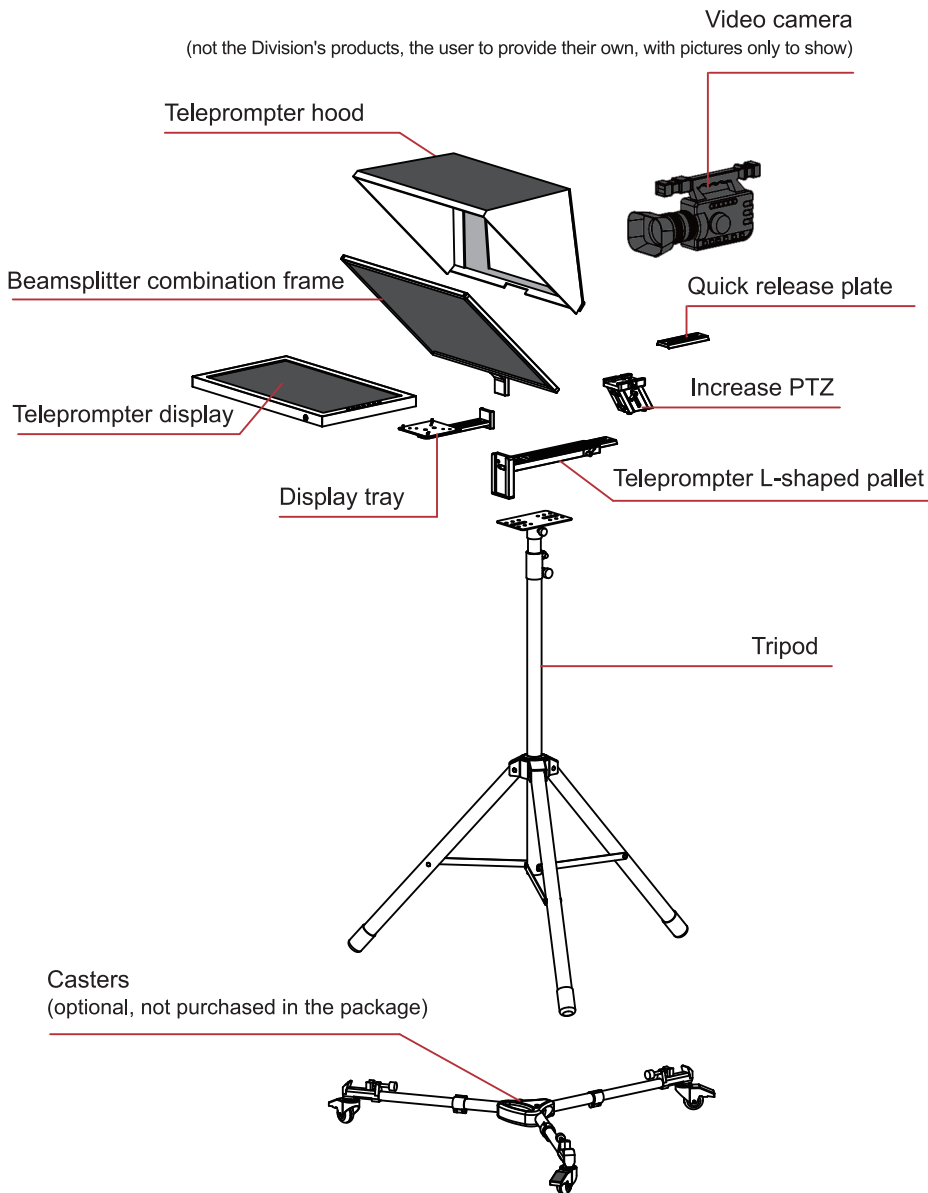
Desview professional broadcast teleprompter is suitable for TV studios interview rooms, commercial shooting and other scenes. Before the use of the scene users need to install the teleprompter on a tripod fixed while installing the camera, teleprompter monitor, beam splitter power on the monitor and open the teleprompter software, the user can see the screen on the playback mirror screen.

Parts list and assembly exploded view

1. Parts List

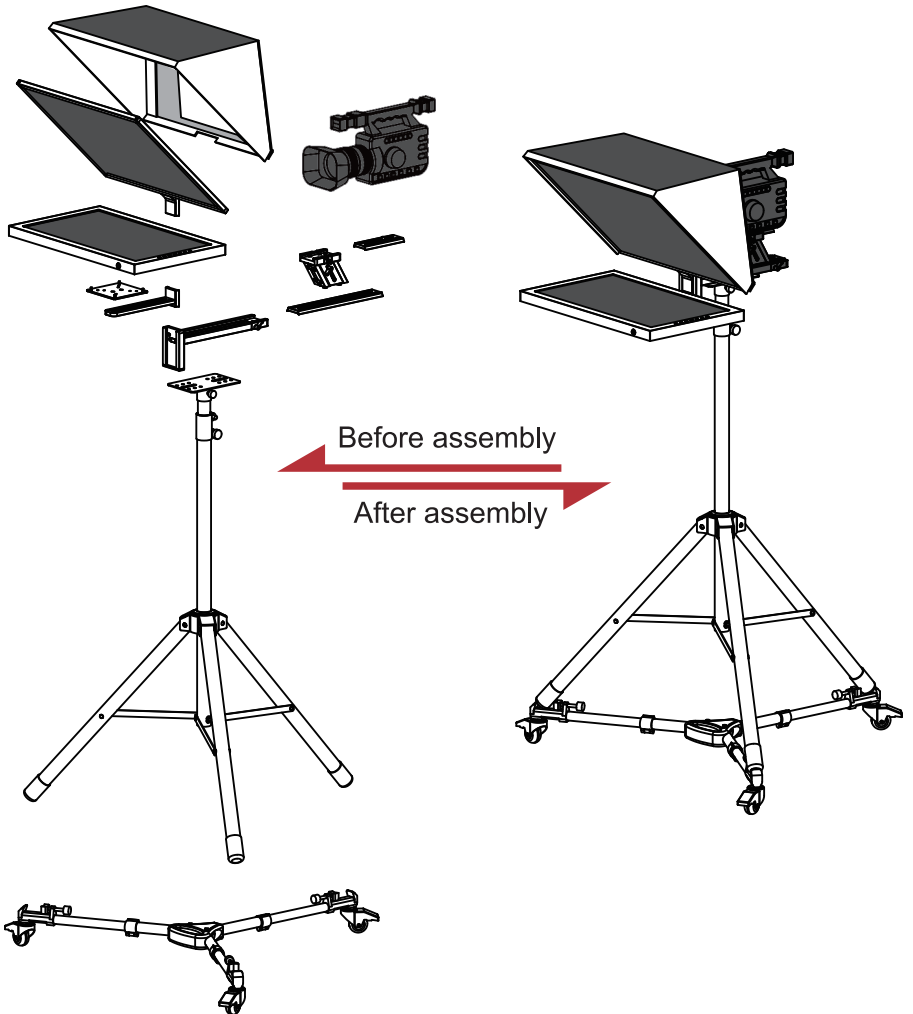
Serial number	Name	Quantity	Unit
1	HD Coated Spectroscope Combo Frame	1	set
2	Shading cloth cover	1	a
3	The main body of the teleprompter pallet	1	set
4	Display tray bracket	1	set
5	Domestic monitors	1	set
6	HDMI connection cable	1	article
7	VGA connection cable	1	article
8	USB extension cable	1	article
9	Dongle	1	a
10	Bluetooth adapter	1	a
11	Remote control	1	a
12	Foot switch	1	a
13	Aluminum box	1	piece

2. Exploded view of teleprompter assembly



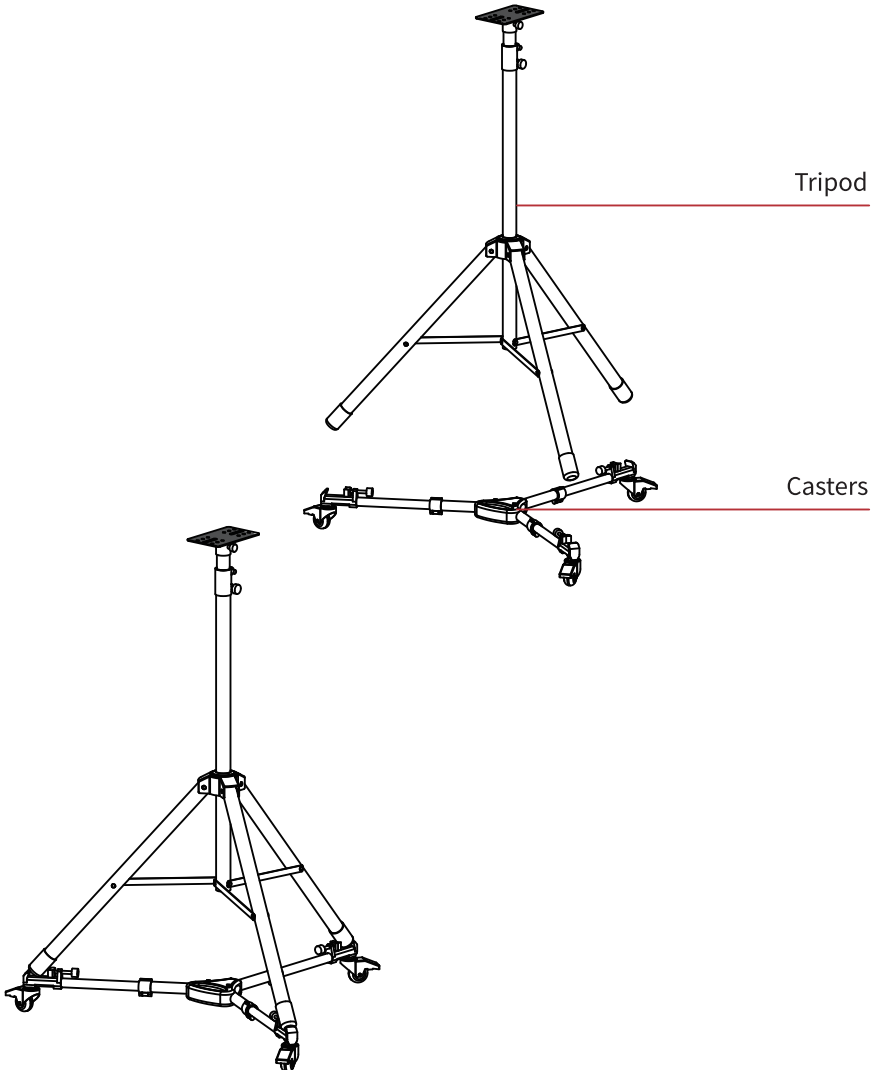
Hardware installation

The figure shows the general schematic of the installation, please see below for detailed steps.



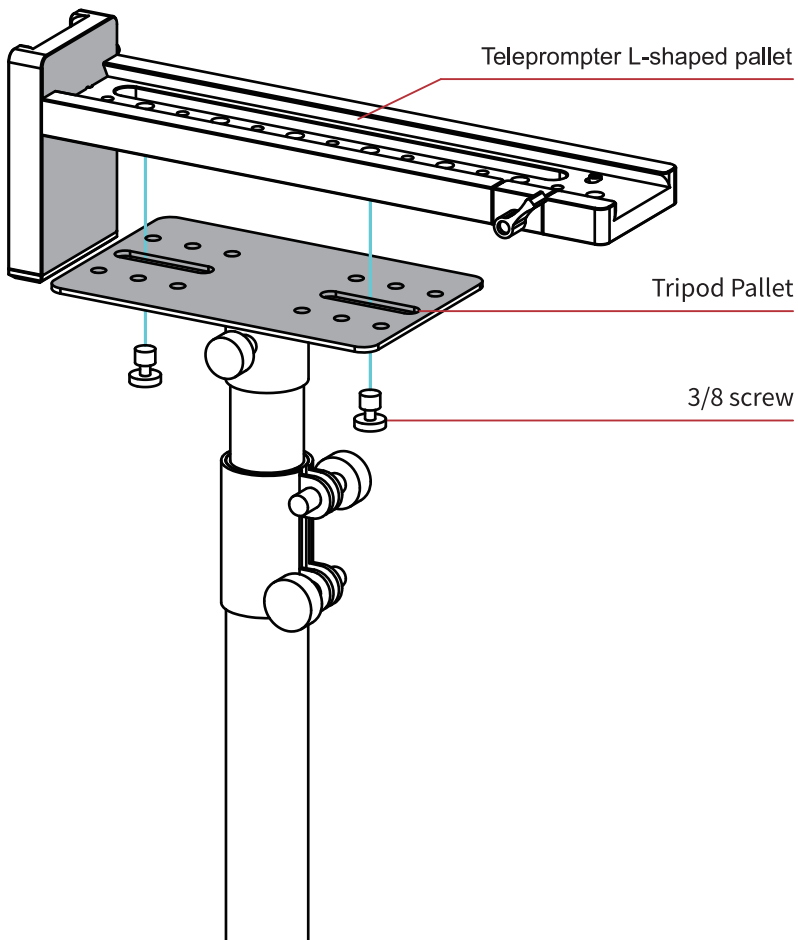
1. Install the tripod / casters

Take the tripod, casters unfold, mount the tripod to the casters and tighten the screws to lock. If you do not purchase casters, please directly open the tripod installation placed on a flat surface to tighten the screws.



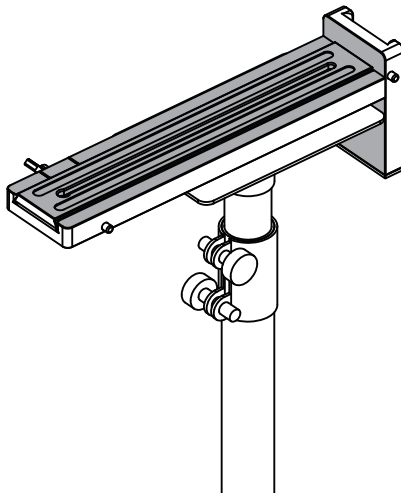
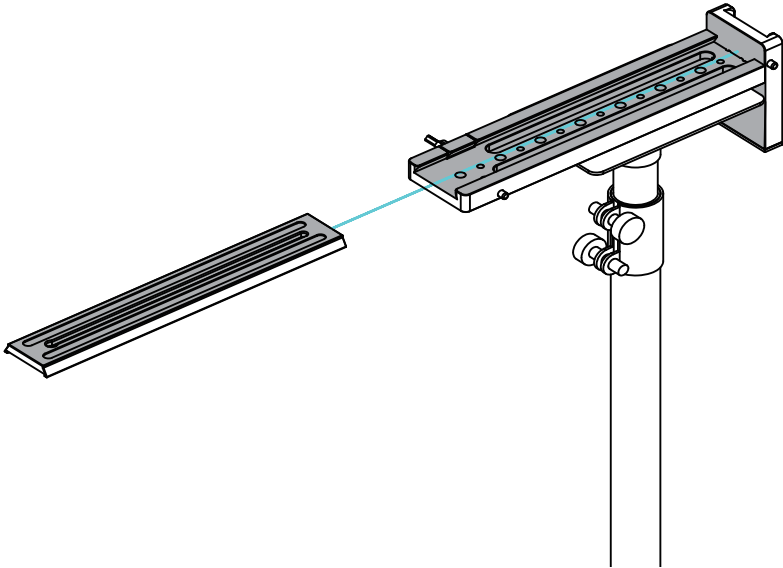
Install the teleprompter L-shaped pallet

Use the 3/8 screws in the accessories to connect and fix the tripod pallet with the L-shaped pallet.



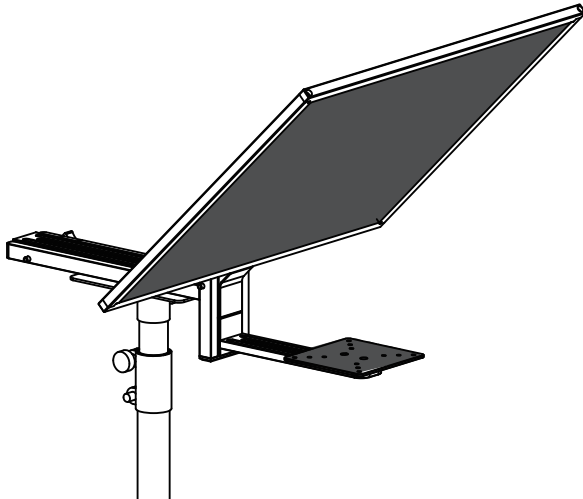
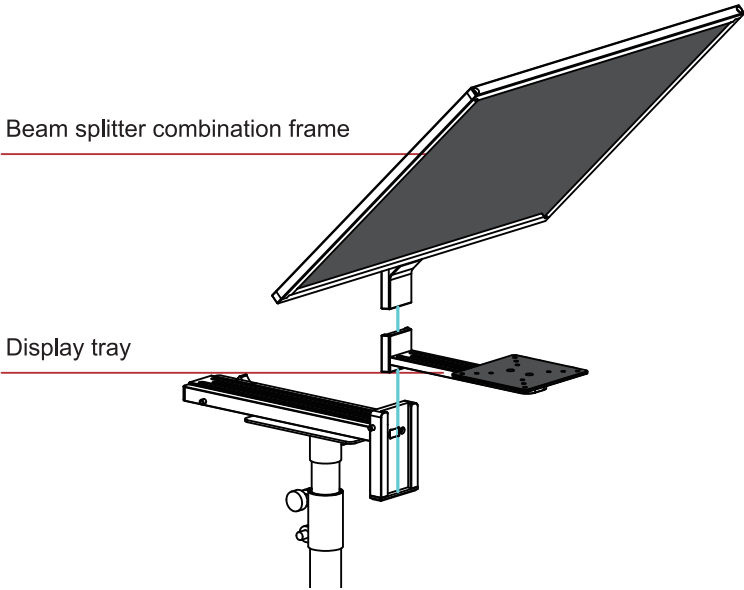
Install the quick release plate

Put the quick release plate into the L-shaped pallet of the teleprompter.



2. Install the display pallet and beam splitter combination frame

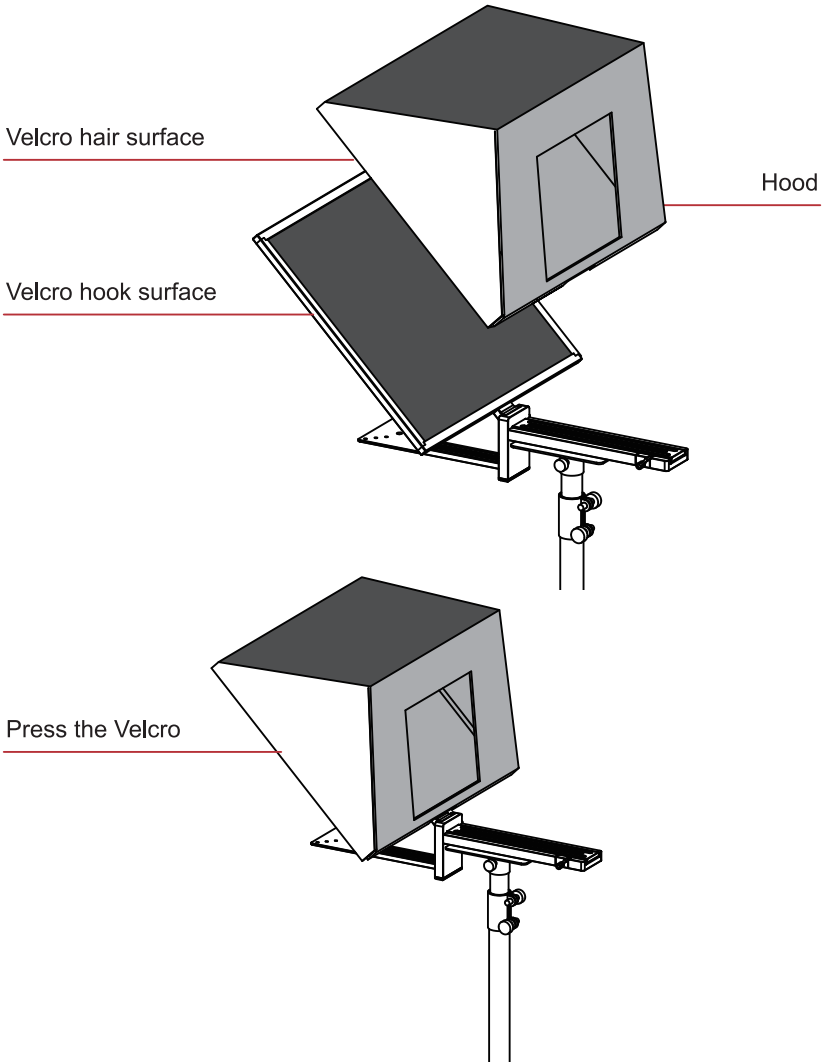
Install the display support board along the L-shaped support board slot first and then install the beam splitter combination frame.



3. Install the hood

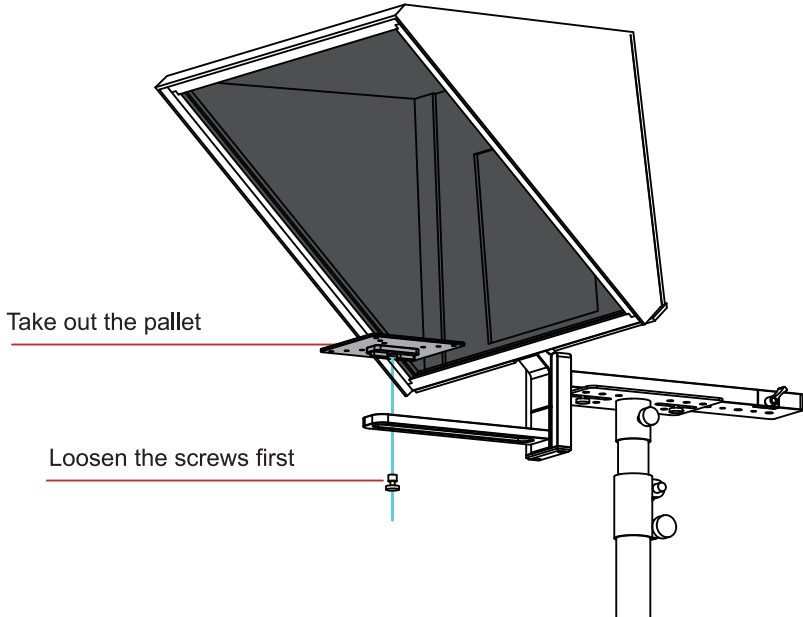
Open the hood and zip it, and then attach the hood to the beam splitter frame.

Note: The spectroscopy combination frame and the hood are equipped with glue and buckle. When installing, press the buckle tightly to make the buckle fully adhered.

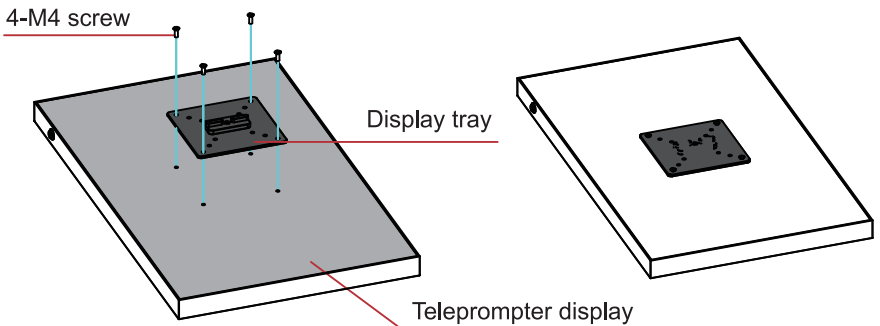


4. Install the teleprompter monitor

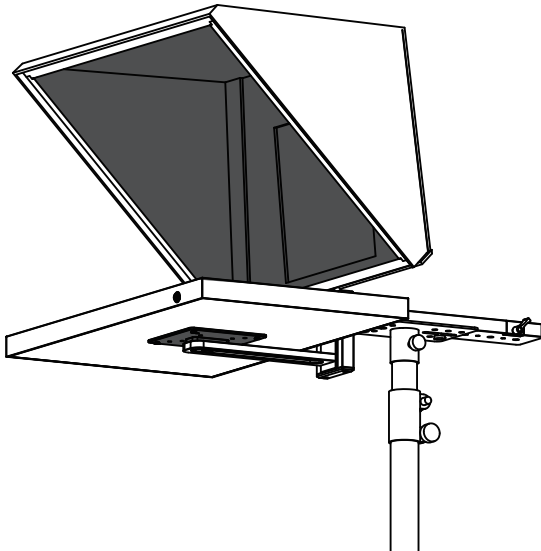
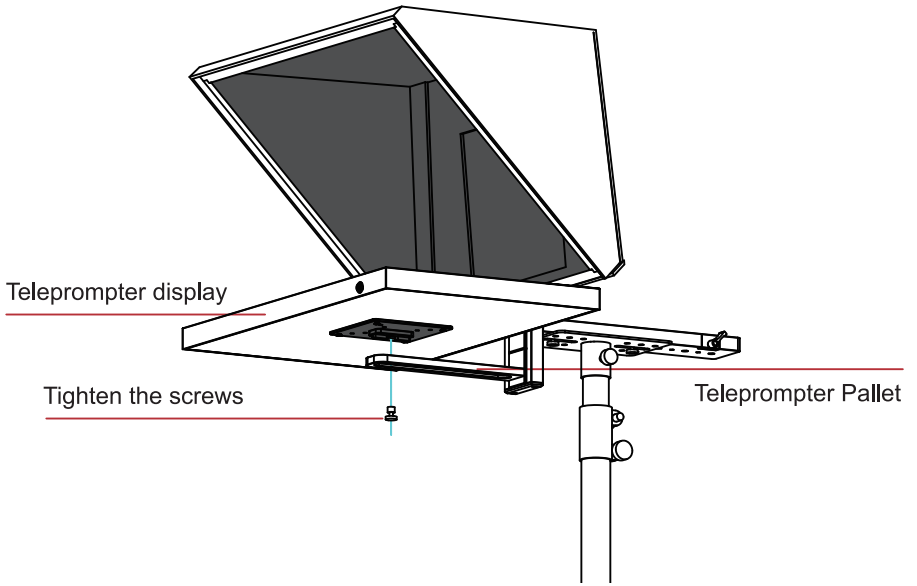
Loosen the pallets screws of the teleprompterDisplay on the Display pallets and remove the teleprompter Display pallets.



Fix the detached teleprompter pallets on the teleprompter Display with screws

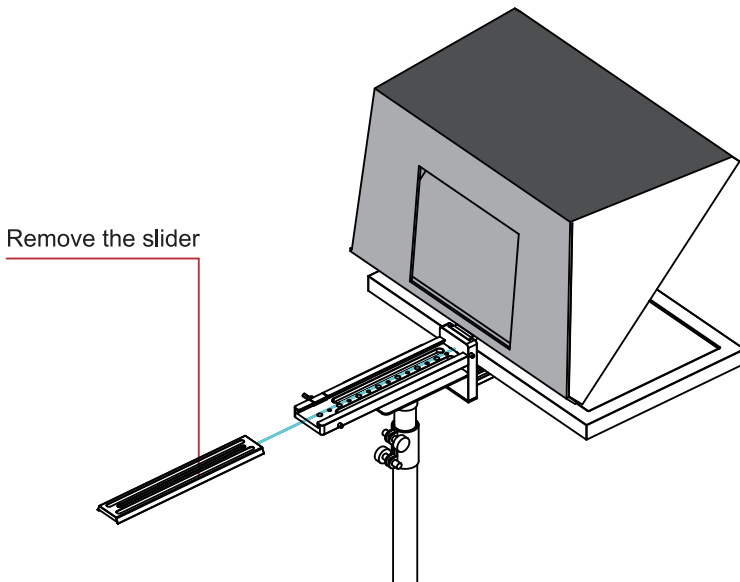
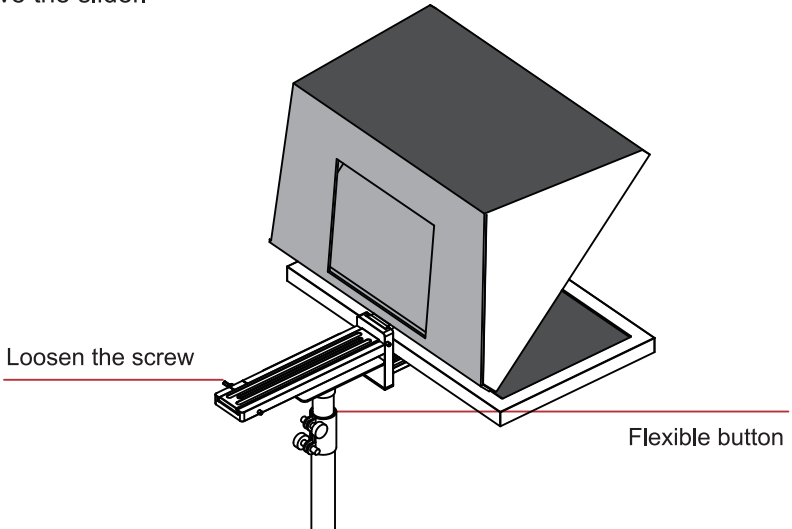


Use screws to fix the teleprompter display back to the display pallet.

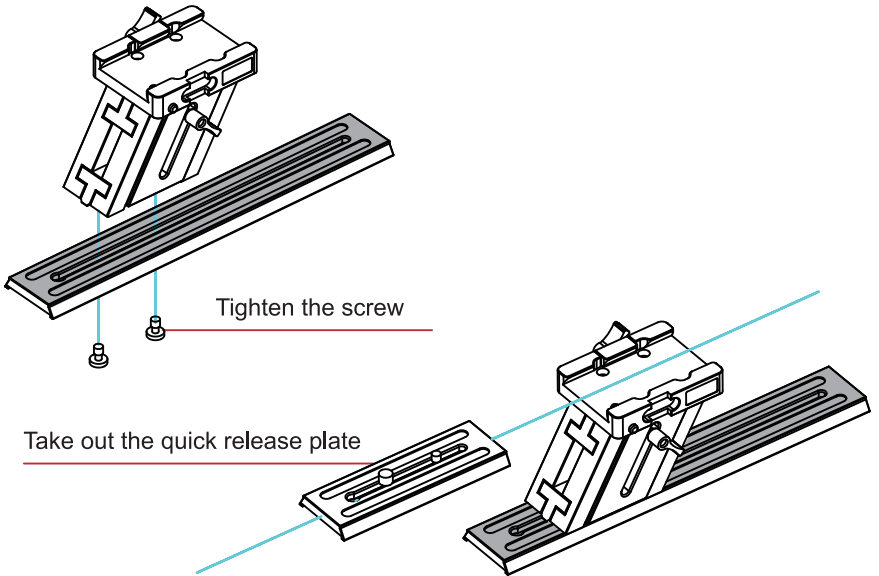


5. Install the camera

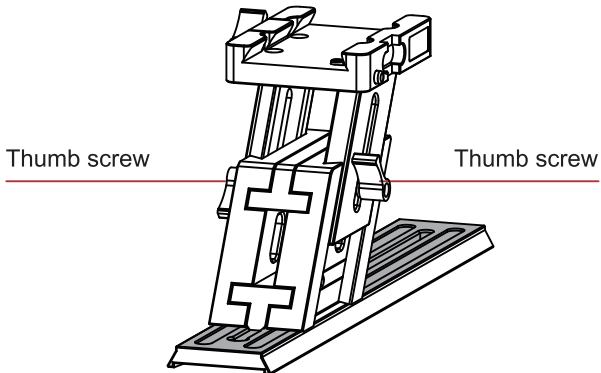
Loosen the screws on the left side of the slider in the L-shaped tray of the fixed teleprompter, and press the red elastic button on the right side To remove the slider.



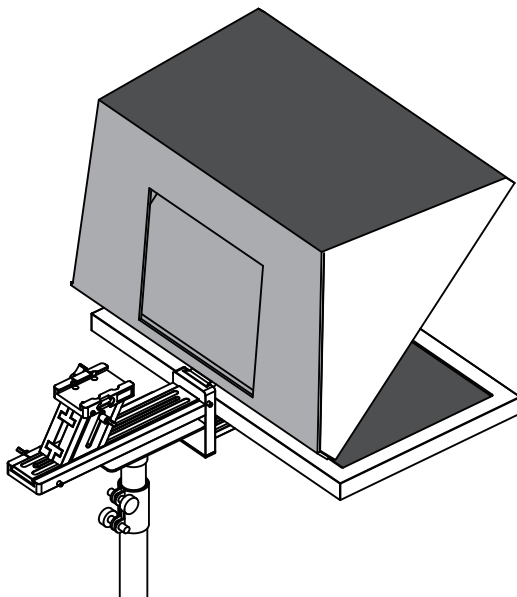
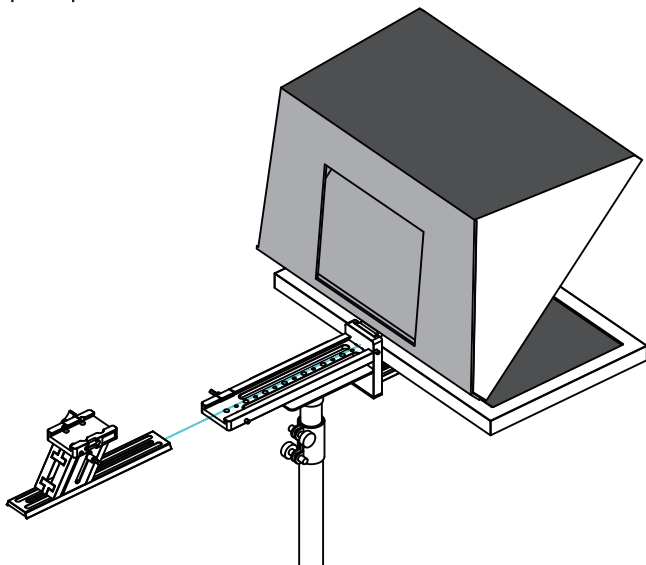
Install the Heightening cold shoe, remove the slider in the Cold shoe.



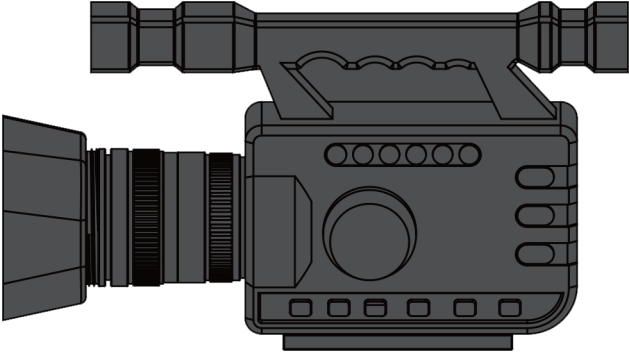
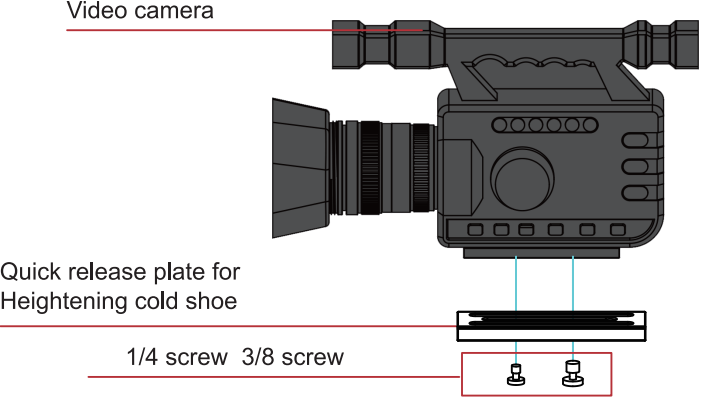
Loosen the Thumb screw on the heightening Cold shoe , adjust the height of the Cold shoe.



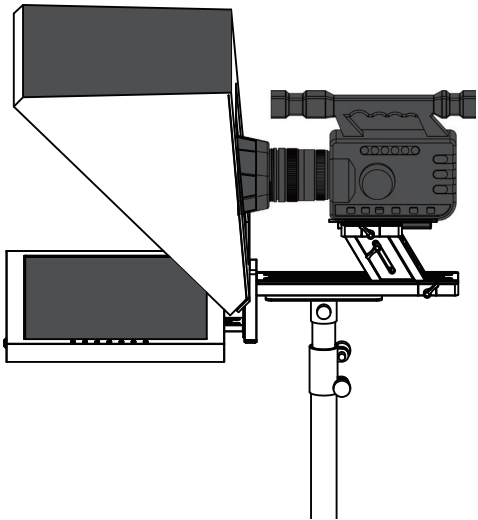
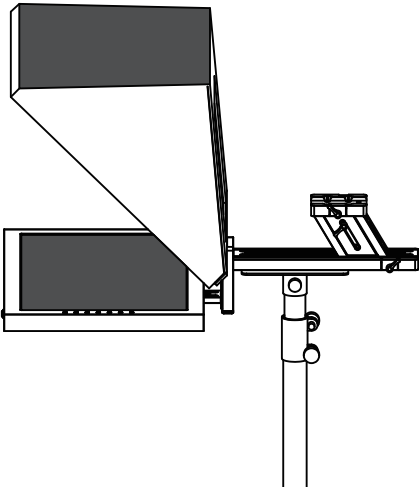
Put the assembled heightening gimbal back into the L-shaped pallet of the teleprompter.



Fix the quick-release plate of the Use screws to Heightening cold shoe to the bottom of the camera with screws.

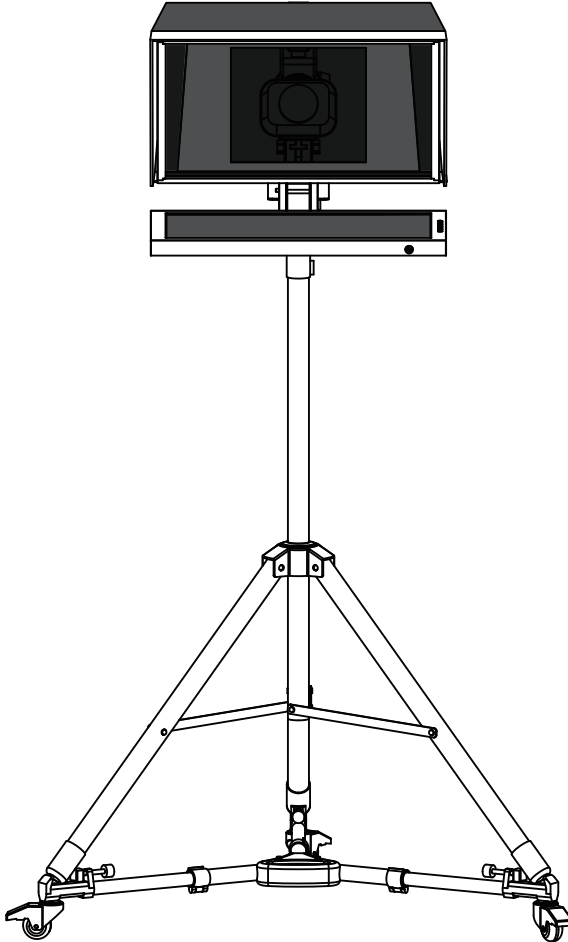


Install the camera on the heightening Cold shoe, and tighten the screws to fix it.



6. The teleprompter installation is complete

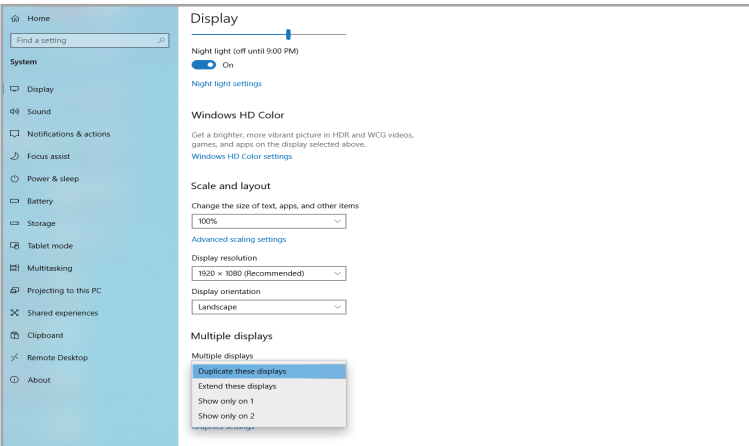
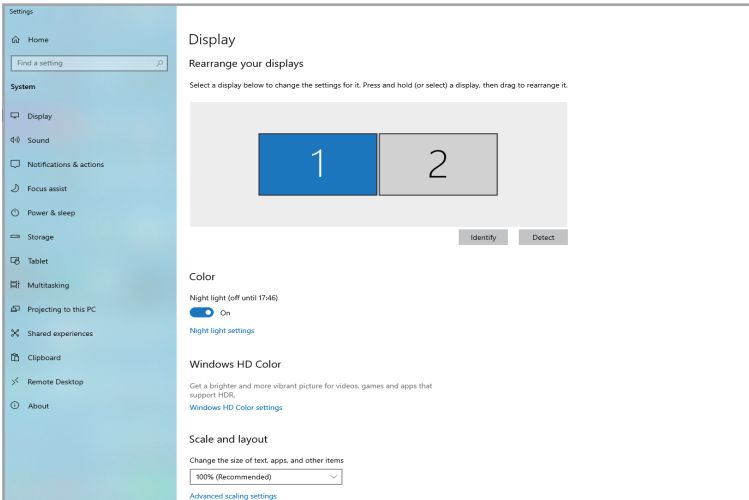
Adjust the focus of the camera as a whole and increase the height of the gimbal so that the camera is in a suitable position for shooting.



Teleprompter software installation and use

1. Before using the teleprompter software, please make sure that the computer is connected to the teleprompter and displayed normally, in addition, you need to set the computer resolution of the multi-monitor for "expand these displays" mode.

Windows 8/10 setting method: Right click on the screen → Display Settings → Multi-Display settings → Extend these displays an application (OK).



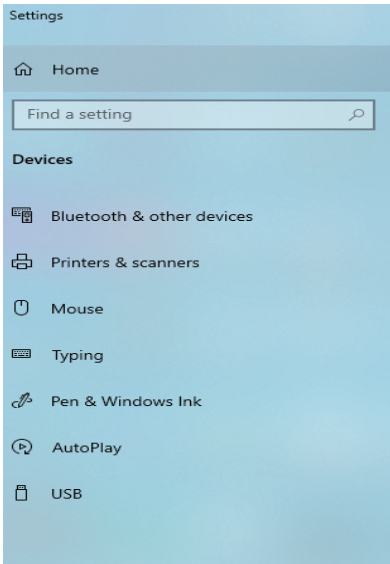
2. Plug the dongle, Bluetooth adapter, and foot switch into the computer's USB port



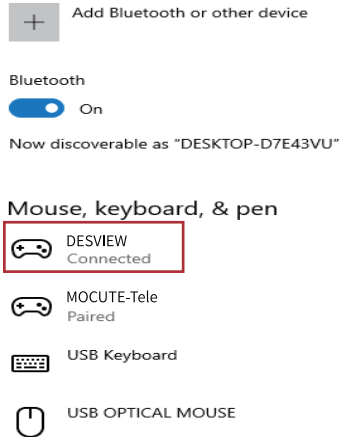
2.1. Turn on the Bluetooth device



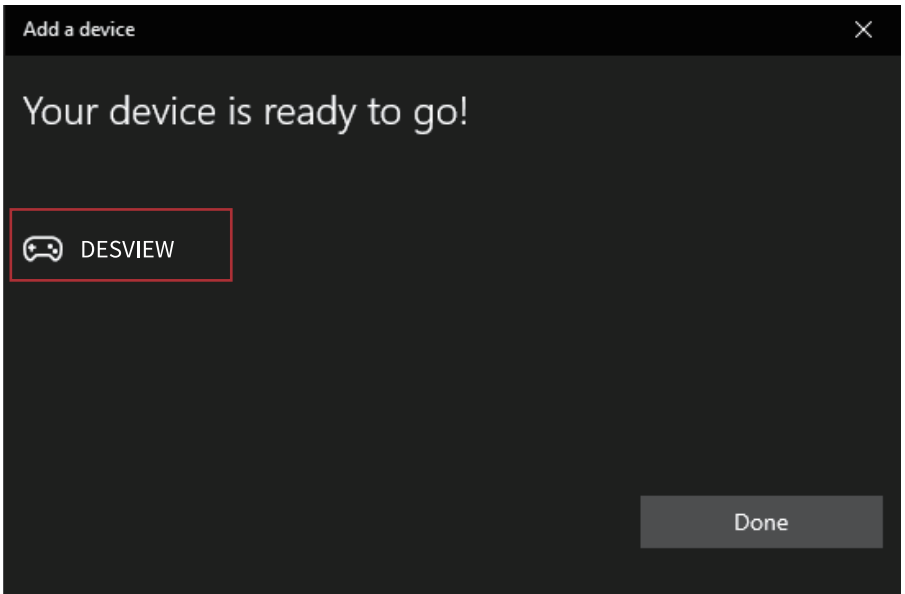
2.2. Add bluetooth device



Bluetooth & other devices



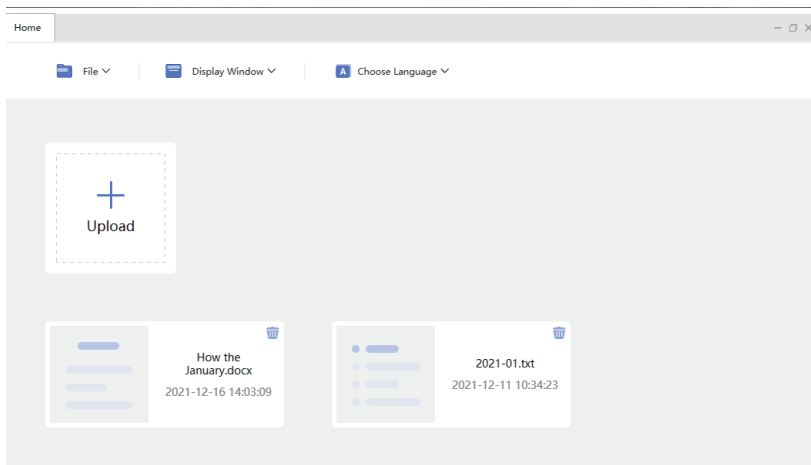
2.3. Connect to Bluetooth DESVIEW



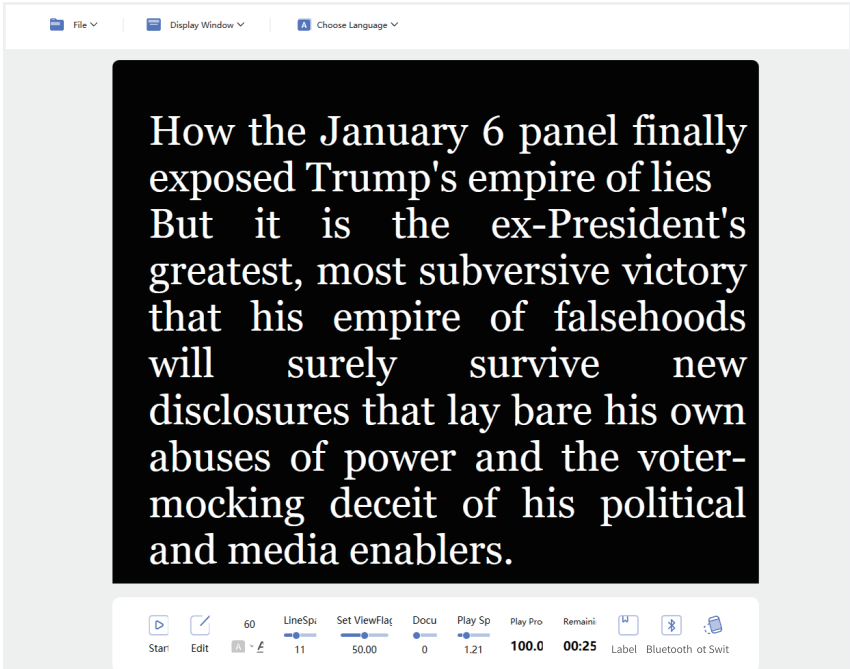
3. Open the software

名称	修改日期	类型	大小
System.Text.Encoding.dll	2021/11/16 10:48	应用程序扩展	22 KB
System.Text.Encoding.Extensions.dll	2021/11/16 10:48	应用程序扩展	21 KB
System.Text.RegularExpressions.dll	2021/11/16 10:48	应用程序扩展	21 KB
System.Threading.dll	2021/11/16 10:48	应用程序扩展	22 KB
System.Threading.Overlapped.dll	2021/11/16 10:48	应用程序扩展	37 KB
System.Threading.Tasks.dll	2021/11/16 10:48	应用程序扩展	22 KB
System.Threading.Tasks.Parallel.dll	2021/11/16 10:48	应用程序扩展	21 KB
System.Threading.Thread.dll	2021/11/16 10:48	应用程序扩展	21 KB
System.Threading.ThreadPool.dll	2021/11/16 10:48	应用程序扩展	21 KB
System.Threading.Timer.dll	2021/11/16 10:48	应用程序扩展	21 KB
System.ValueTuple.dll	2018/5/15 13:29	应用程序扩展	78 KB
System.Xml.ReaderWriter.dll	2021/11/16 10:48	应用程序扩展	22 KB
System.Xml.XDocument.dll	2021/11/16 10:48	应用程序扩展	22 KB
System.Xml.XmlDocument.dll	2021/11/16 10:48	应用程序扩展	22 KB
System.Xml.XmlSerializer.dll	2021/11/16 10:48	应用程序扩展	22 KB
System.Xml.XPath.dll	2021/11/16 10:48	应用程序扩展	21 KB
System.Xml.XPath.XDocument.dll	2021/11/16 10:48	应用程序扩展	23 KB
Teleprompter.Core.dll	2021/11/30 17:01	应用程序扩展	25 KB
Teleprompter.Core.pdb	2021/11/30 17:01	PDB 文件	78 KB
Teleprompter	2021/12/10 14:22	应用程序	266 KB
Teleprompter.exe	2021/11/8 12:06	XML Configurati...	1 KB

4. Broadcast manuscript loading:load the pre-prepared broadcast manuscript, broadcast manuscript, it could be WORD, TXT, PDF formats while supporting the file being broadcasting to be saved.

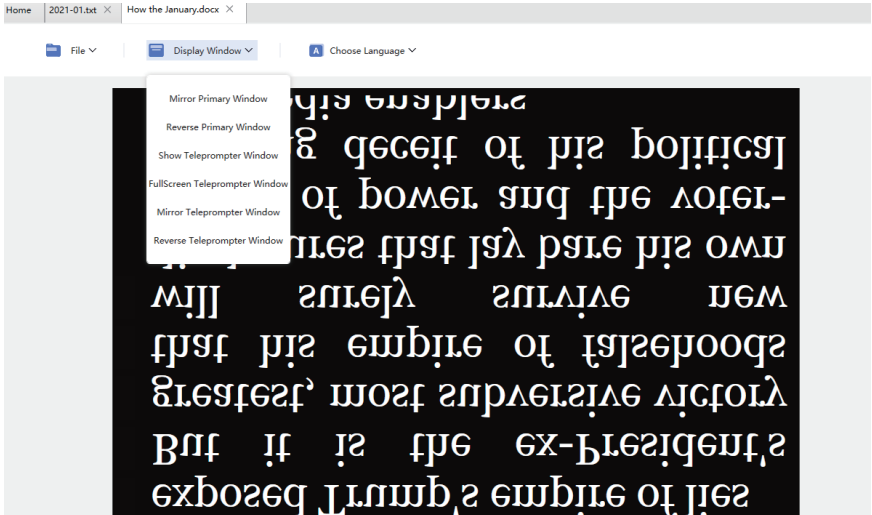


5. The picture below shows the software interface of the teleprompter successfully running.



6. (Mirror Primary Window) host window mirroring:when screen is reversed, it can back to normal position by this function.

(Reverse Primary Window) The host window is reversed: when the screen is projected on the teleprompter's splitter glass, it can be adjusted through this function to make the screen back to norma.



A: Pause/ Play

B: Online Editing: Click Online Editing, you can modify files with errors or unsuccessful words in the broadcast file in real time. After the modification is completed, click Apply.



How the January 6 panel finally exposed Trump's empire of lies
But it is the ex-President's greatest, most subversive victory that his empire of falsehoods will surely survive new disclosures that lay bare his own abuses of power and the voter-mocking deceit of his political and media enablers.
While there has already been a steady accumulation of shocking evidence of Trump's coup attempt on January 6 and the emptiness of his election fraud claims, recent days put the saga into a horrifying new light. They brought the clearest indicators yet that the entire Make America Great Again infrastructure and Trump's potential next White House campaign rest on hogwash and the whitewashing of history. Yet those same conservative heroes are part of a political media operation that spent the last 11 months obscuring what really happened, in many cases denying the truth of Biden's election win and fueling lies about voter fraud that are feeding anti-democratic extremism. All to preserve a meal ticket named Trump.
In another development fraught with chilling implications, the committee revealed that Meadows wrote in an email that the National Guard would be present to "protect pro Trump people" on January 6. It was the latest example of a habit of weaponizing sacred American institutions for Trump's political gain. The scale of the evidence coming to light this week is remarkable. But daily bombshells about what happened on January 6 often have the effect of diminishing the shock value of Trump-related outrages. And voters have pressing concerns like the rising cost of living and a pandemic that will shortly drag into a third year. Yet this week's developments are important not just because they chart the staggering breadth of Trump's election conspiracy. They are also exposing the lies on which his future political prospects are built -- and on which multiple Republican-run states have passed laws that make it harder to vote and easier to steal future elections.

Cancel

Apply

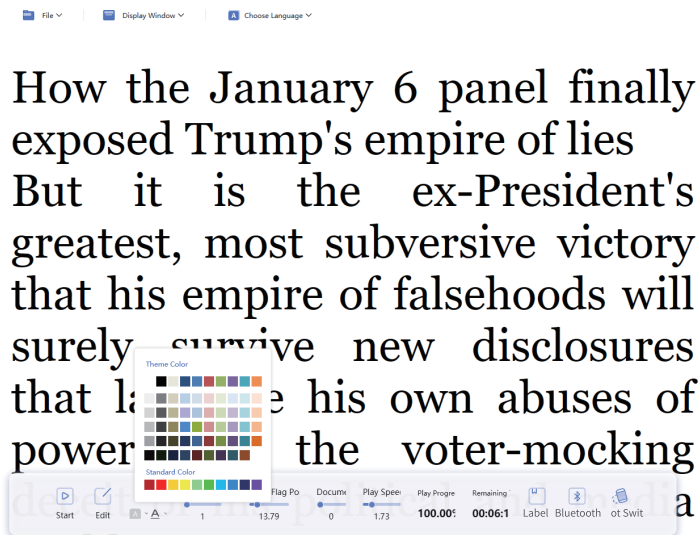
C1: background color editing

File Display Window Choose Language

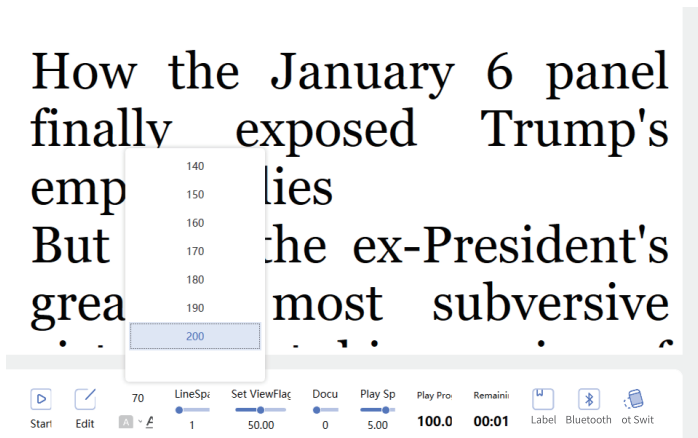
How the January 6 panel finally exposed Trump's empire of lies
But it is the ex-President's greatest, most subversive victory that his empire of falsehoods will surely survive new disclosures that lay bare his own abuses of power and the voter-mocking



C2: Font color editing

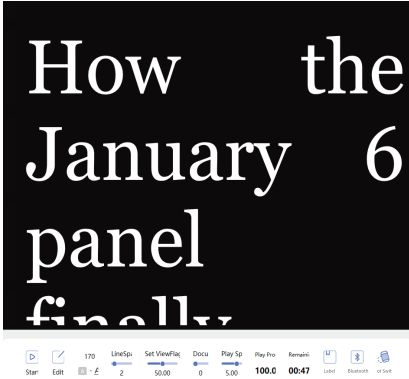


C3: Font size editing

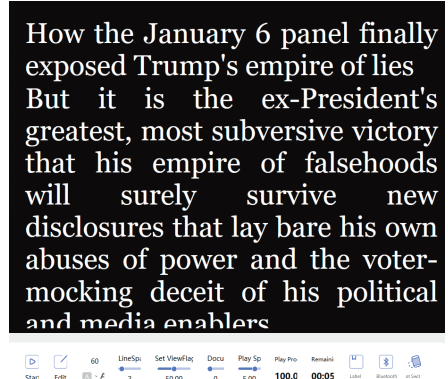


D:Line spacing: Set the font line spacing of the broadcast document in real time and the line spacing is based on the font size.

As shown on the left: font size: 170
2 times the line spacing



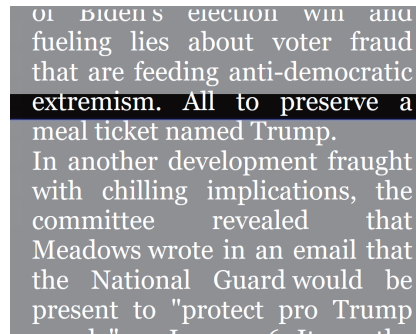
As shown on the right: font size: 60
2 times the line spacing



Note: In the case of the same line spacing, the larger the font, the fewer words are displayed. The font size and line spacing can be adjusted according to the eyesight of the announcer.

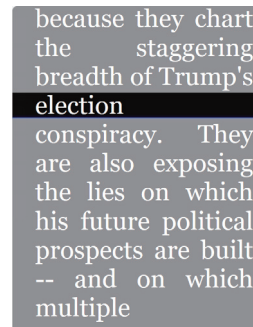
E: Sightline marker position

ViewFlag can be adjusted according to personal habits.



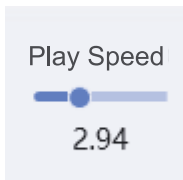
F: Document width

Schematic diagram of document width adjustment.

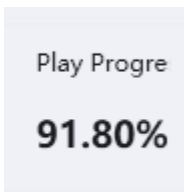


G: Play speed

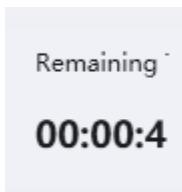
Play Speed: The speed of the play document can be increased or decreased through the mouse or our wireless remote control, the mouse clicks the keyboard space foot switch, and the wireless remote control play pause button can set the playback document to pause.



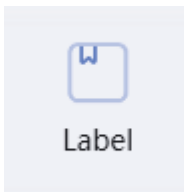
H: Play progress



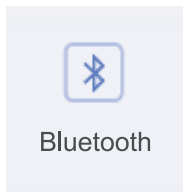
I: Remaining time



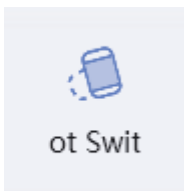
J: Label



K: Bluetooth connection

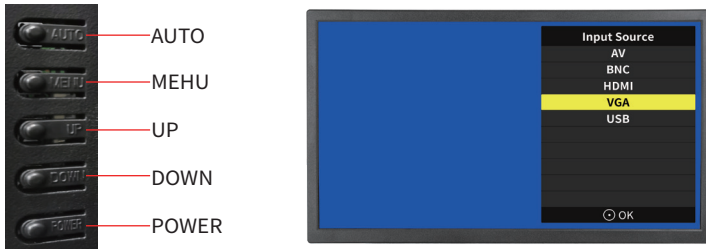


L: Foot switch connection

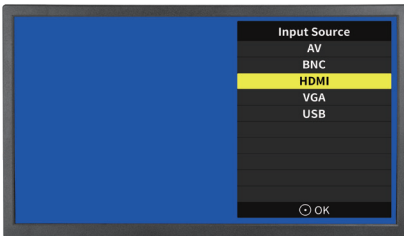


operation steps for flipping the monitor screen

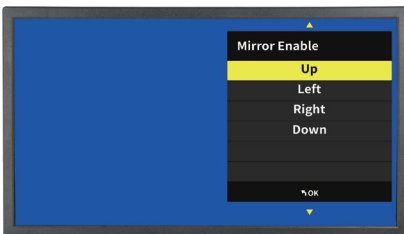
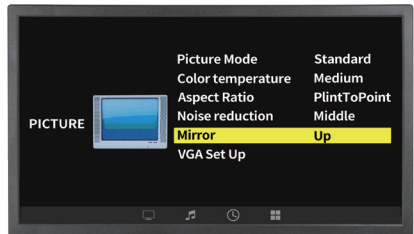
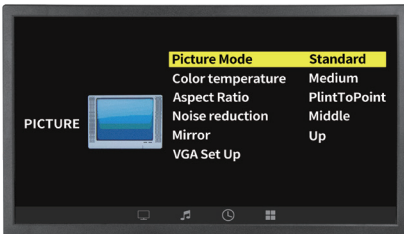
1. When the computer is connected with VGA, first press the AUTO button to adjust the display input source to computer, and then press the DOWN button to confirm



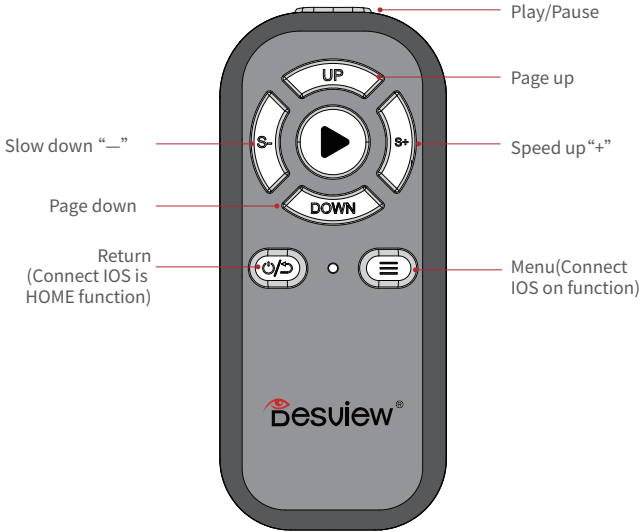
2. When the computer is connected with HDMI, firstly press the AUTO button to adjust the display input source, and then press the DOWN button to confirm





3. Screen mirroring: first press the MENU button, then press the UP button to adjust to mirroring, and then press the DOWN button to confirm; Press the UP button to adjust the mirror image; Finally press the MENU button twice to exit




Bluetooth remote

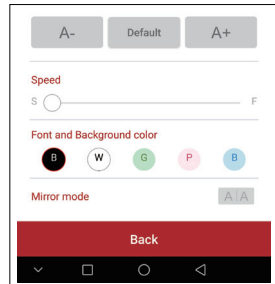
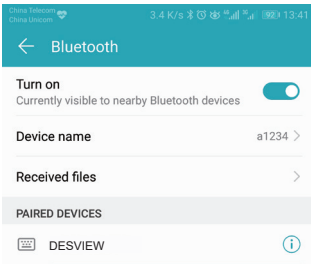


Controller Use Instruction

- 1.power on:Keep press ,until the lights on (about 2 seconds).
- 2.power off:Keep press ,until the lights off (about 5 seconds).

Notice:if power on without connecting anything,it will power off after 5 minutes; if the phone connected ,it will power off after 12 minutes without any operation.

3. Connect: After power-on, LED light on, you're in connection mode. Please select DESVIEW to connect. After LED light off, it will memorize this device. Then it will connect automatically next time. For changing to a new device, press  till 8 seconds, then the light flickers, connection mode activates again.



Frequently Asked Questions

All types of problems in the use of this teleprompter, you can pay attention to our Official website , real-time solution.

Step 1: Open Google and enter "www.desview.com" in the search box to quickly enter the official website.

Step 2: Find the T22 teleprompter page. At the bottom of the product landing page you can quickly obtain the solutions to common problems of the teleprompter.